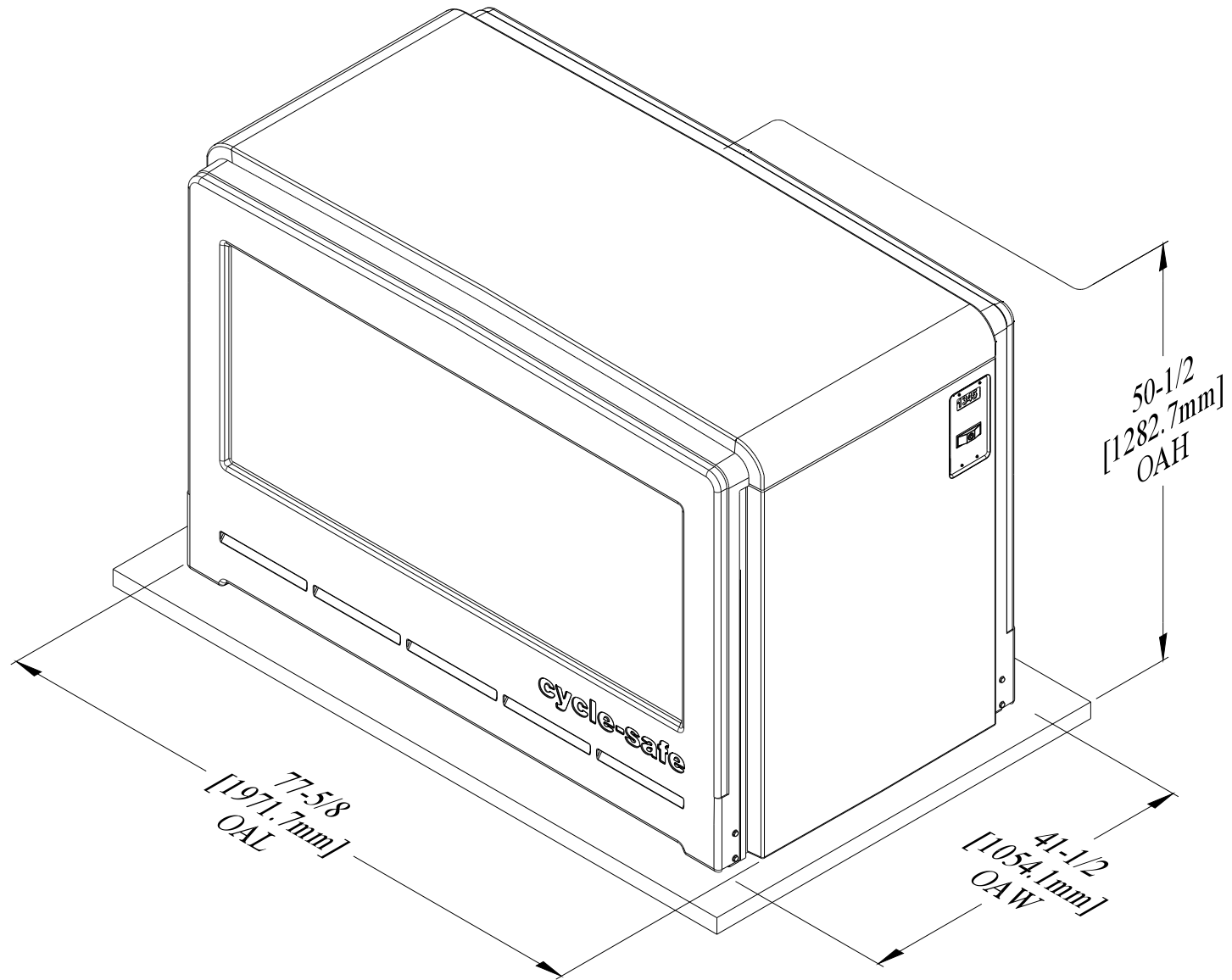
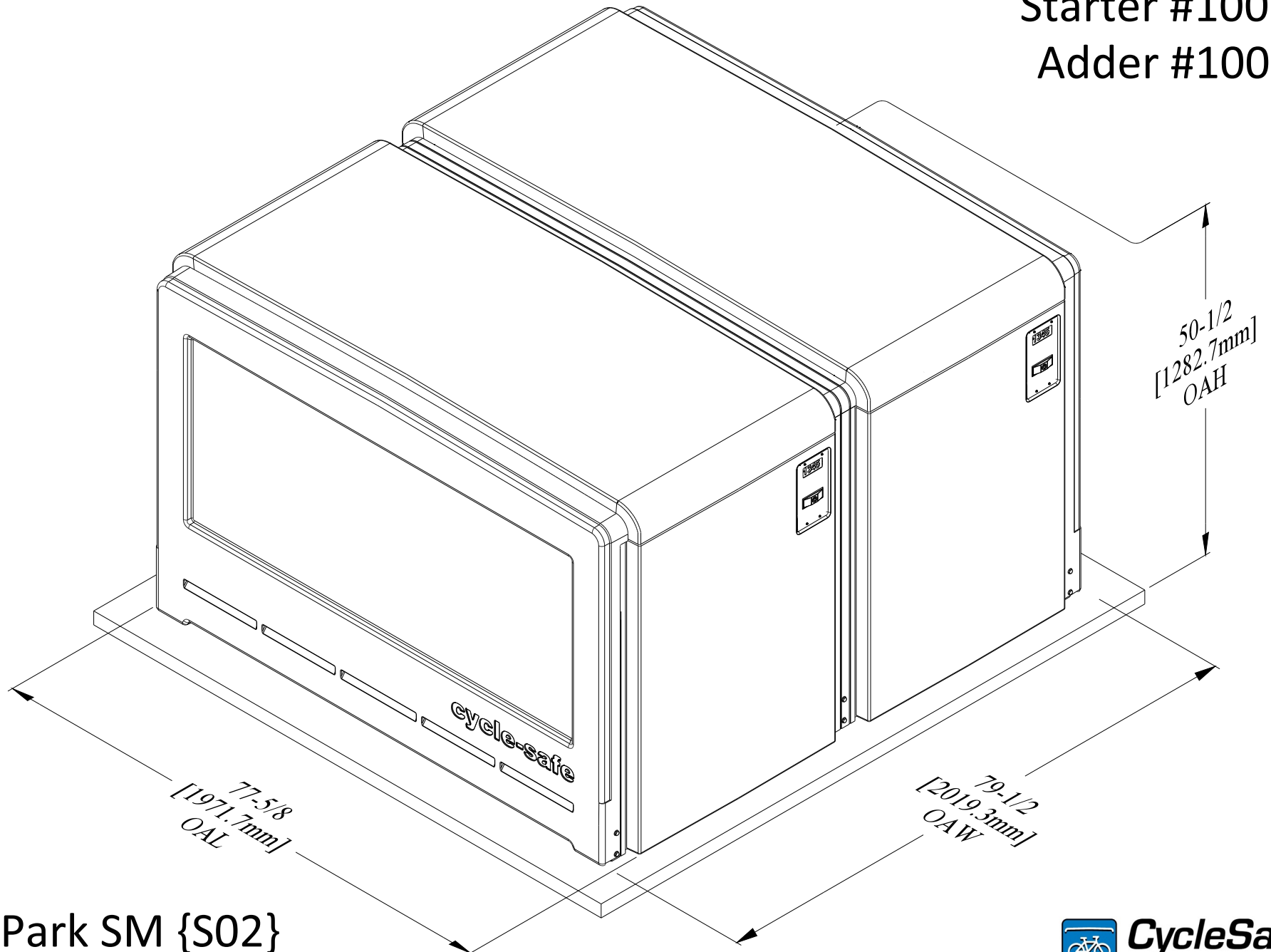


Part #10017



ProPark SM {S01}
{1-Bike} Starter Locker {Dims}

Starter #10017
Adder #10019

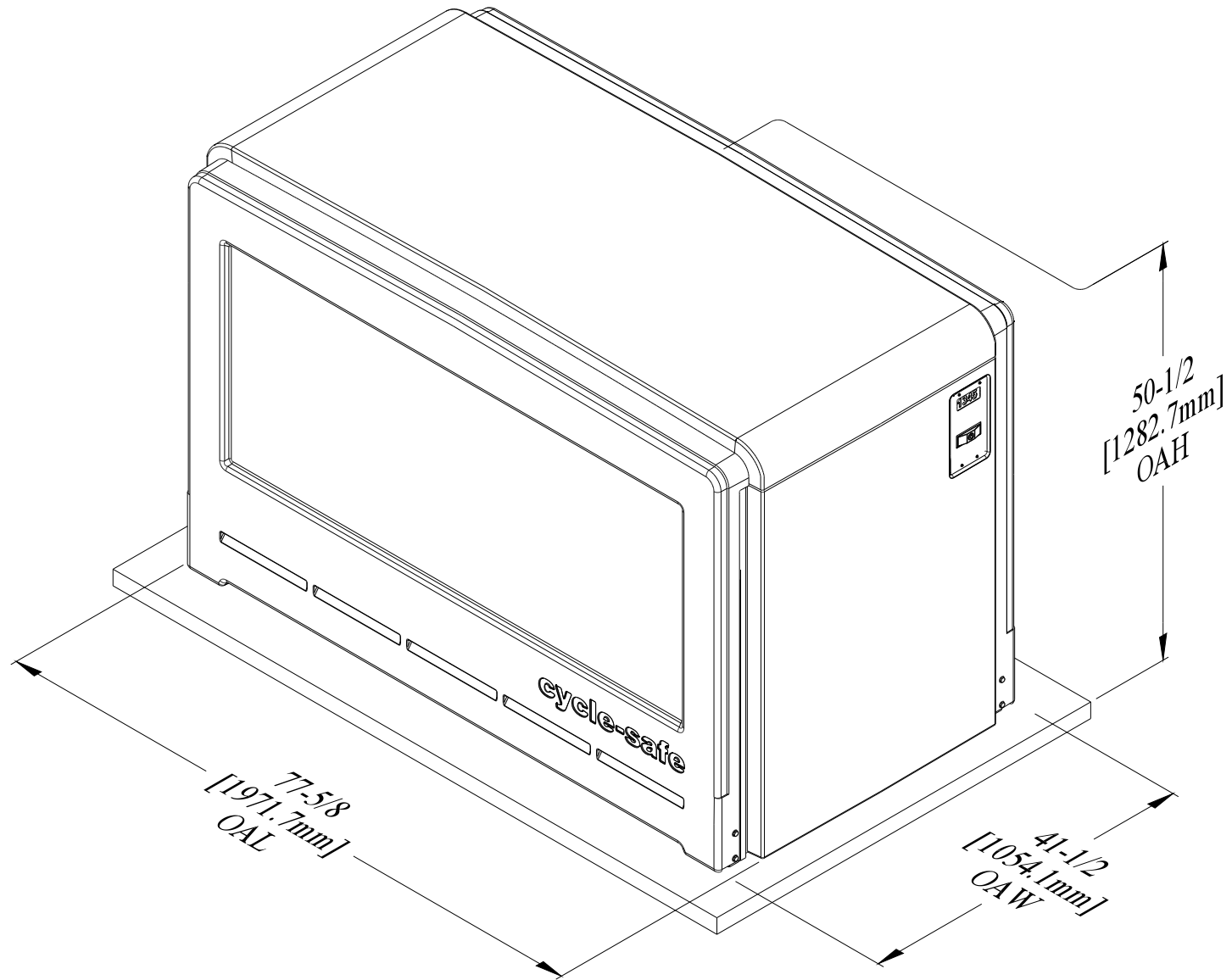


ProPark SM {S02}
{2-Bike} Locker Assy {Dims}



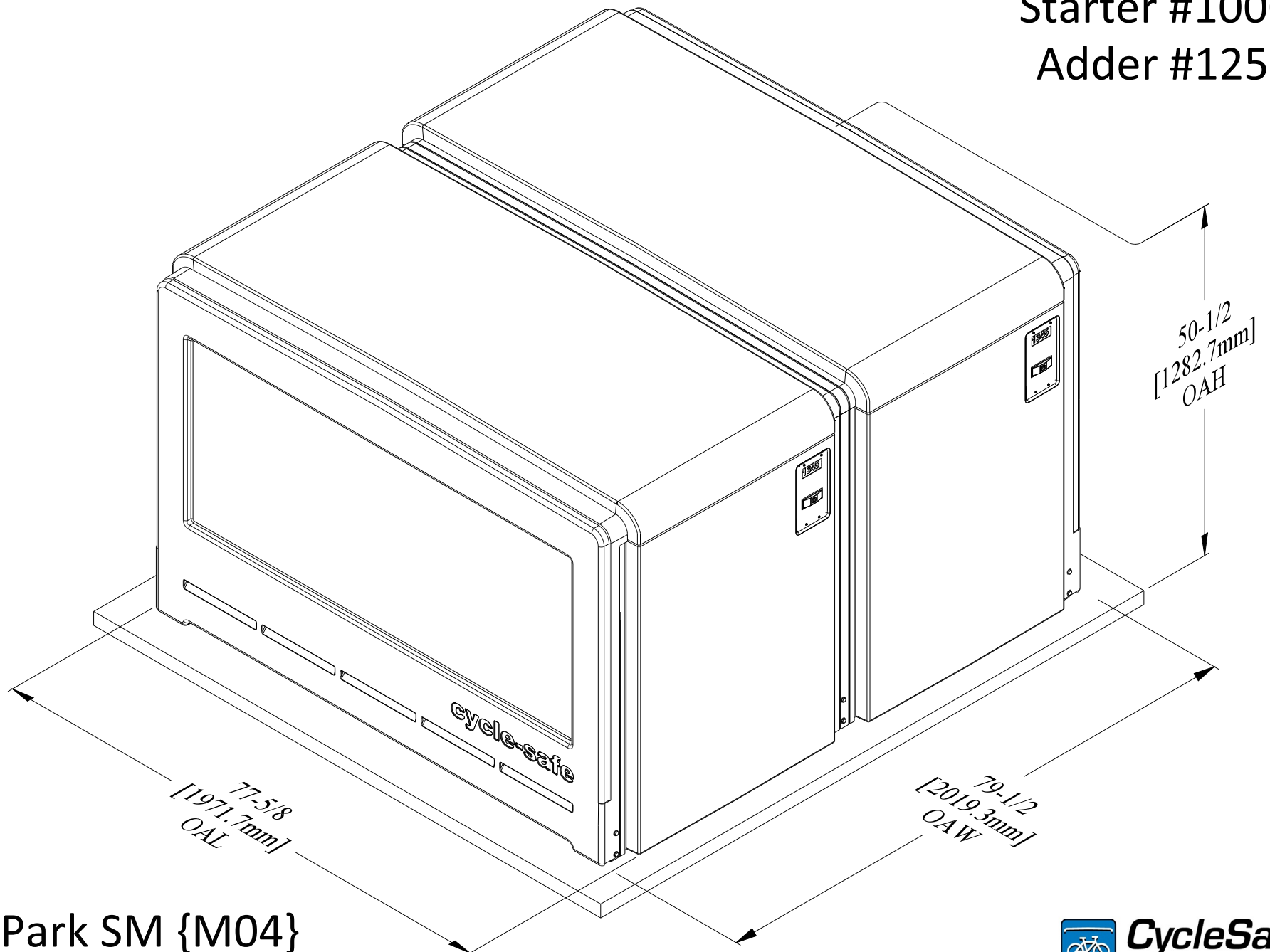
www.cyclesafe.com

Part #10001



ProPark SM {M02}
{2-Bike} Starter Locker {Dims}

Starter #10001
Adder #12500



ProPark SM {M04}
{4-Bike} Locker Assy {Dims}



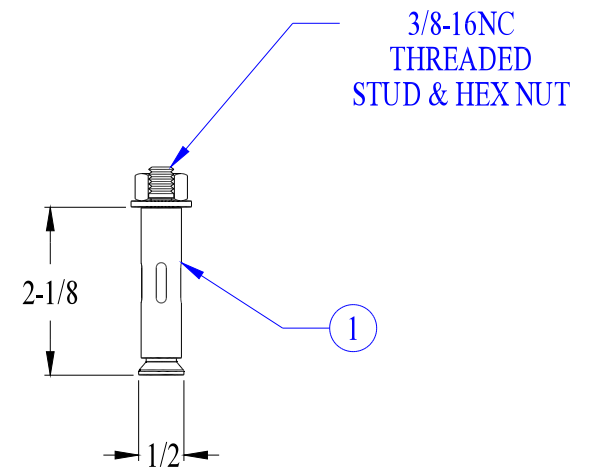
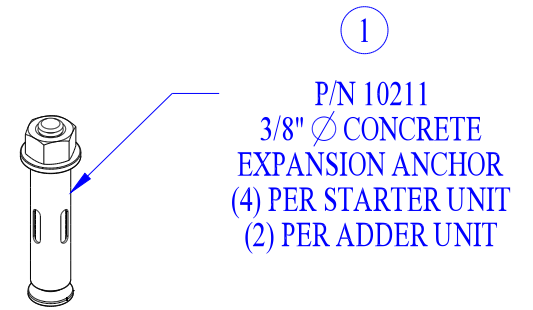
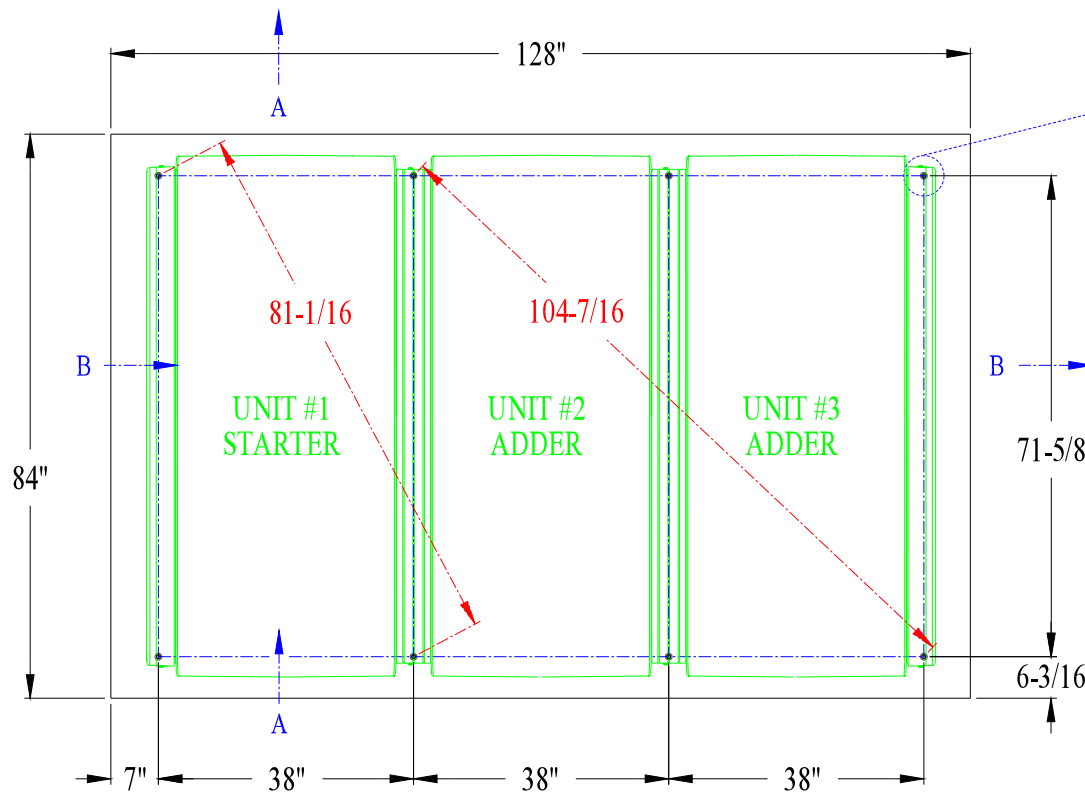
www.cyclesafe.com

NOTE:

INCLINE ANGLES

A. DOOR-TO-DOOR INCLINE TO BE NO MORE THAN 1 ° SLANT

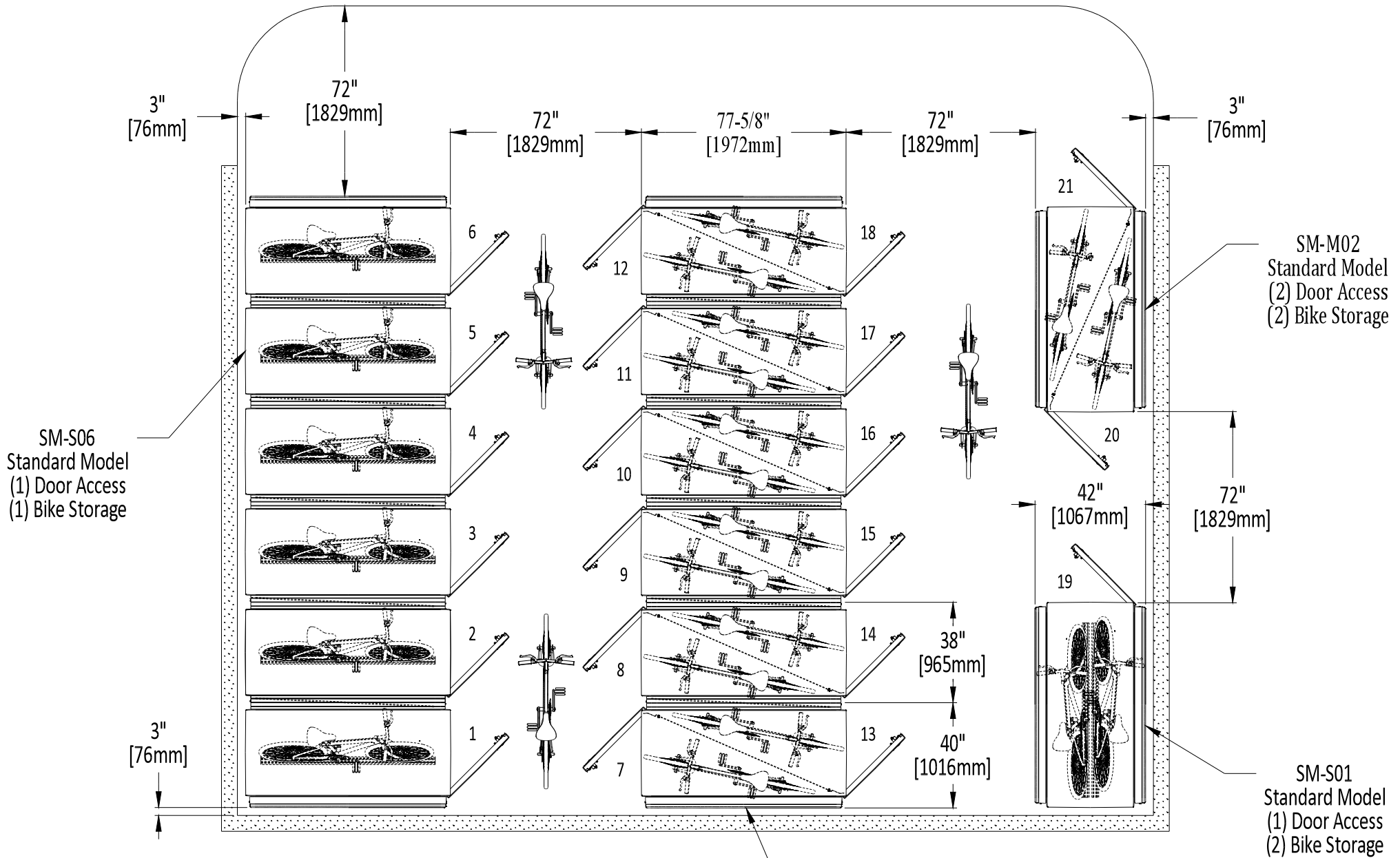
B. BANKING SIDE-TO-SIDE TO BE NO MORE THAN 2 ° SLANT



ProPark {M06} Lockers Anchor Placement Locations



www.cyclesafe.com



ProPark {Locker} Layout Clearances & Capacities

SM-M12
Standard Model
(2) Door Access
(12) Bike Storage



www.cyclesafe.com